

Technical Datasheet

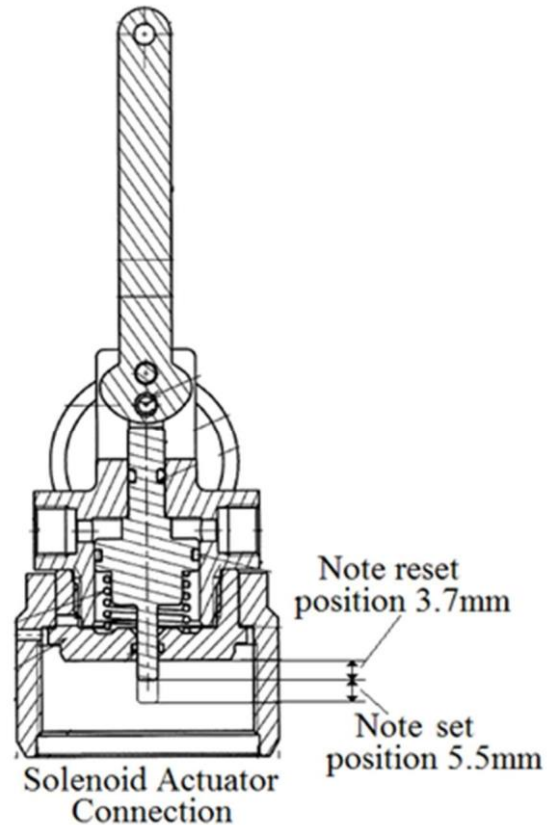
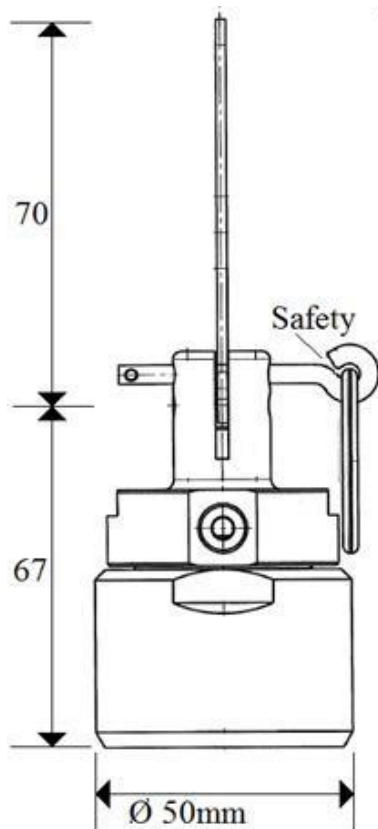
Pneumatic / Manual Actuator
NF26030



Pneumatic / Manual Actuator • Inertech

designed for use with

Clean Agent Chemical Gaseous Suppression Systems



- ⊗ Manual Actuation Force <150N
- ⊗ Working Temperature -20°C to 50°C
- ⊗ Minimum actuation pressure 21 bar
- ⊗ Connect the tripping mechanism to the valve using the M42 x 1.5 connecting thread with a torque of 50+0/-15 Nm. Screw fully down
- ⊗ Connect the Pilot line using the G1/8" with PTFE tape
- ⊗ To use only in combination with a solenoid actuator
- ⊗ Refer to FSL Inertech Manual before assembling to system