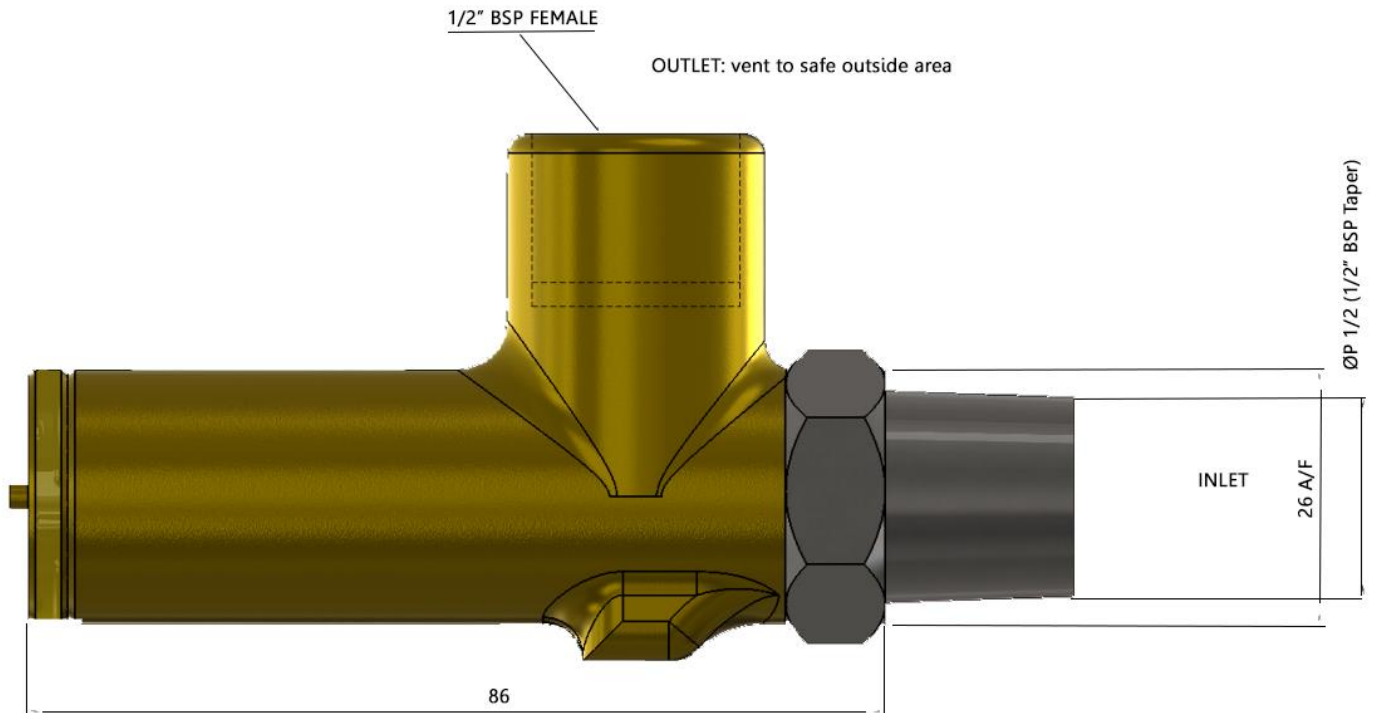


Manifold Relief Valve • Inertech

designed for use with

FSL Inert Clean Agent Gaseous Suppression Systems



Manifold Relief Valve

- Preset at 75 bar
- To release excess pressure directly via pipework to atmosphere
- Material: Brass and Stainless Steel

To be screwed into the Inertech Pressure Device connector into the Rp ½" connection.