

Technical Datasheet

DN50 Discharge Manifold
NF33550X - NF33650X

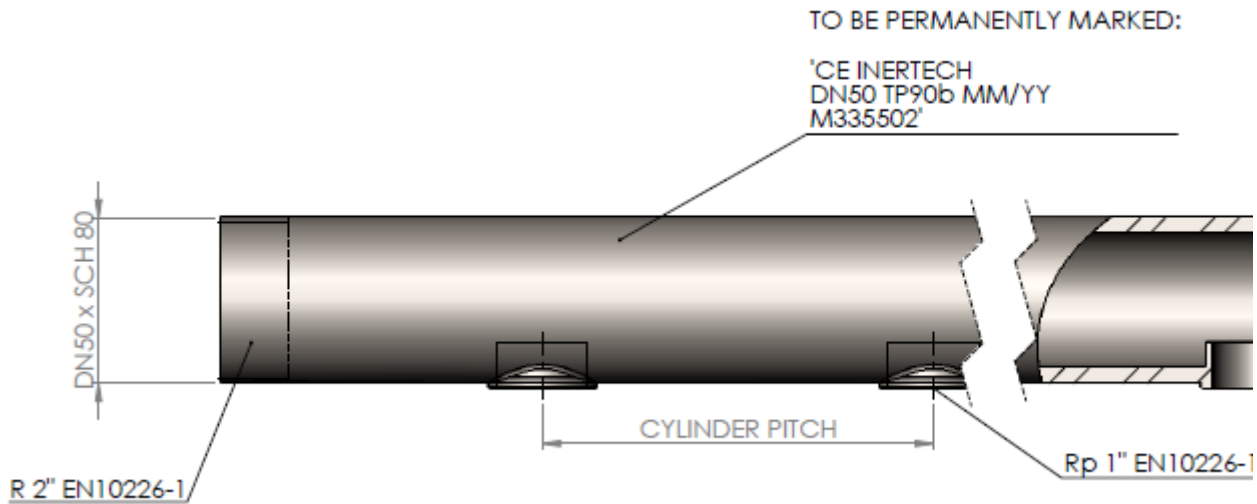


DN50 Discharge Manifold • Inertech

designed for use with

FSL Inert Clean Agent Gaseous Suppression Systems

- The Inertech system will operate at no more than 60 bar (due to the pressure controller)
- The discharge manifold shall be fitted with a pressure gauge and a relief valve when used on a closed pipe section
- The manifold will supply the pressure for a closed section pipework selector valve system using a pressure reducing regulator
- For installation dimensions please refer to the Inertech Manual
- The check valve port (Rp1) will normally be vertical down as indicated facing the floor and connected to the R1 connection of the check valve
- The check valve may be mounted up to 45° from vertical

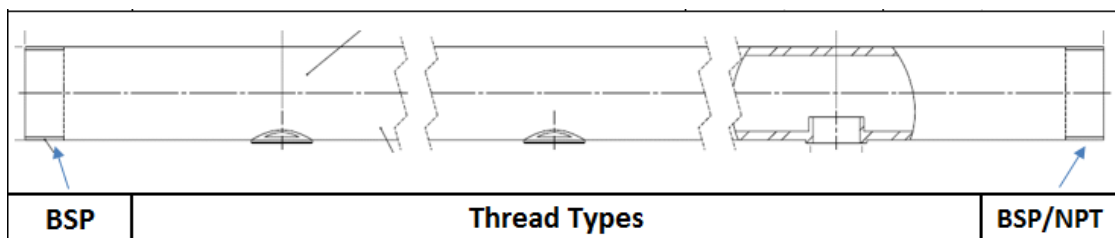


Specification:

Min. bore through manifold: 49mm
 Min. bore through manifold ports: 25mm
 DN50 SCHD 80 seamless tube finish zinc plated
 Manifold working pressure: 60 bar
 Test pressure: 90 bar (1.5 working pressure)

Part Number	Pitch	Cylinders
NF335501	286	80 Ltr Single Row
NF335502	143	80 Ltr Double Row
NF336501	376	140 Ltr Single Row
NF336502	188	140 Ltr Double Row

NOTE: FSL can offer the manifold with one end to have a 2" BSP or 2" NPT thread end, and these will be marked on the manifold as BSP (B) or NPT (N). Please note one end will always be 2" BSP for the end cap or pressure device connection.



Date: 06/12/2018

REV: B – Adding NPT information

Checked by: DW