

Technical Datasheet

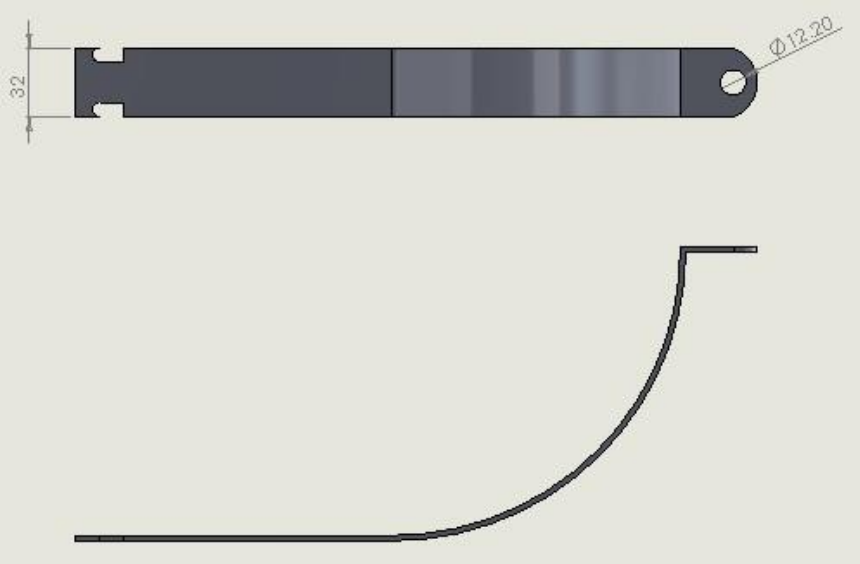
Inertech – Cylinder Straps & Studding
Multiple part numbers



Cylinder Container Straps & Studding • Inertech

designed for use with

FSL Inert Clean Agent Gaseous Suppression System



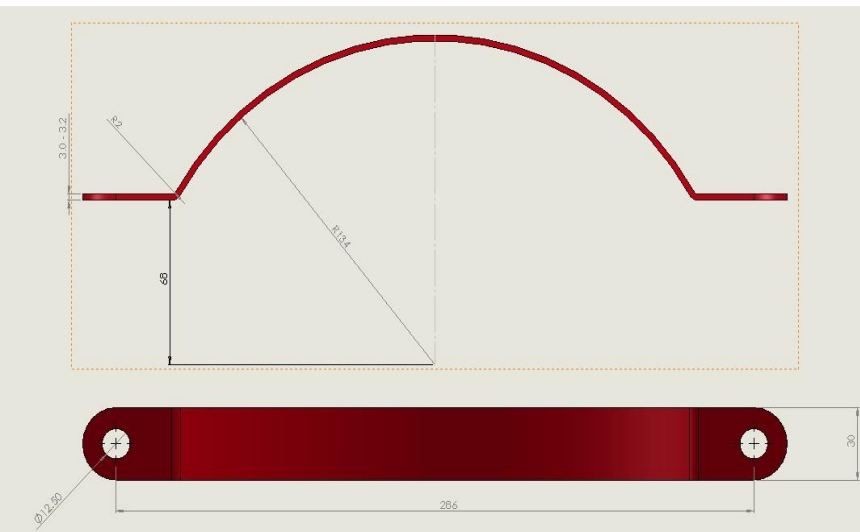
Single Cylinder Straps – NF3291267

To be used to secure FSL 80L Inert cylinders arranged in single row, to Unistrut rail.

One set of cylinder straps to be fitted around the cylinder at high level (2/3 of the height) and low level (1/3 of the height)

Supplied with 1 x M12 nut to bolt 2 x straps together.

Material: Mild Steel
Surface Finish: Zinc Plated



Cylinder retainer / front Straps – NF3294XXX

To be used to secure FSL 80L Inert cylinders, in 2 row or 3 row arrangement, & FSL Inert 140L cylinders, in 1 row, 2 row & 3 row arrangements, to Unistrut rail with the use of cylinder studding, as below.

One set of cylinder straps to be fitted around the cylinder at high level (2/3 of the height) and low level (1/3 of the height)

Supplied with the correct studding (depending on cylinder arrangement).

Material: Mild Steel
Surface Finish: Powder Coat Red RAL3000

Part Number	Description
NF3291267	Single cylinder strap (67, 80ltr 267 dia) - Assy
NF3294267	Cylinder retainer/front strap (67, 80 ltr 267 dia)
NF3294356	Cylinder retainer/front strap (140 ltr 356 dia)

Date: 17/06/16

Revision: A

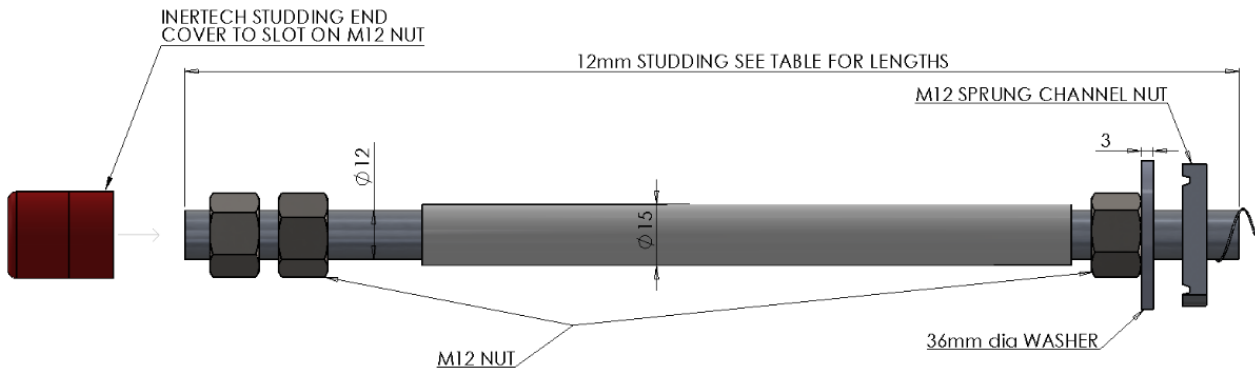
Checked by: DW

Technical Datasheet

Inertech – Cylinder Straps & Studding
Multiple part numbers



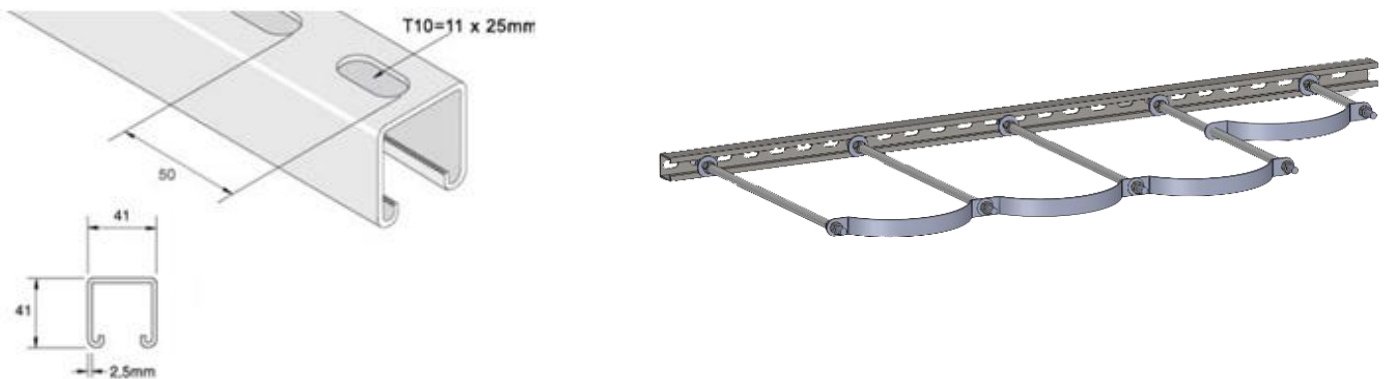
Studding



Part Number	Description
NF3293520	Inertech Racking Studding 2 row (67, 80 ltr 267 dia)
NF3293790	Inertech Racking Studding 3 row (67, 80 ltr 267 dia)
NF3293347	Inertech Racking Studding 1 row (140 ltr 356 dia)
NF3293703	Inertech Racking Studding 2 row (140 ltr 356 dia)
NF3293059	Inertech Racking Studding 3 row (140 ltr 356 dia)

Specification: Zinc plated, with nylon/plactic sleeve.

Unistrut:



All racking systems use a BS6296:1988 rail as shown (commonly known as Unistrut) as shown above

Note: Supplied by the installer

Date: 17/06/16

Revision: A

Checked by: DW