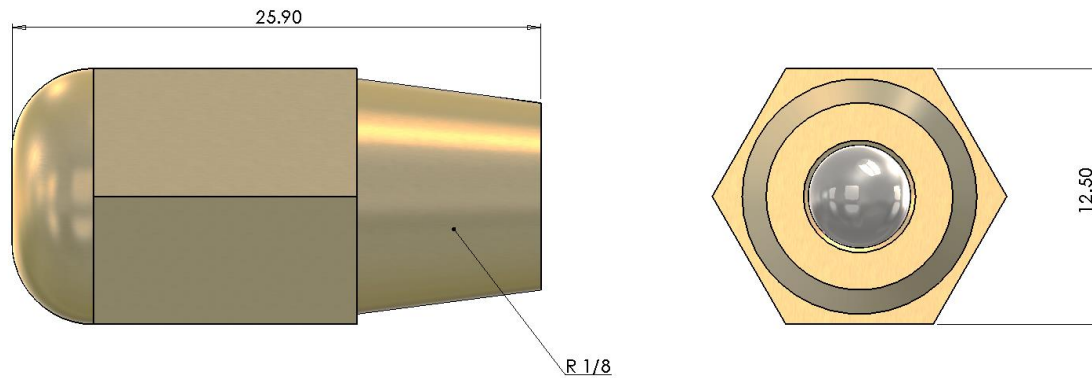


Bleed Valve • Inertech

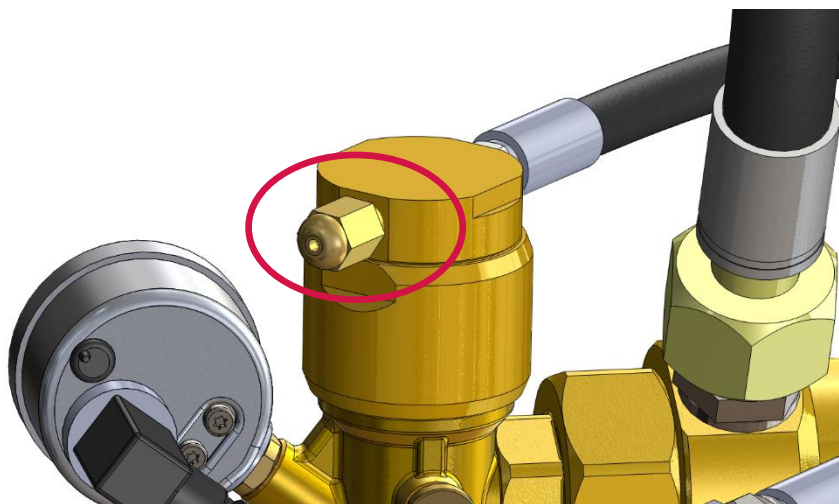
designed for use with

FSL Inert Clean Agent Gaseous Suppression Systems



Bleed Valve size and connection

- Only Required for selector valve systems
- Allows any accumulated pressure in the pilot line to escape at low pressure before actuating the system.
- R 1/8" tapered connection
- Connect to pneumatic actuator in the line as required for each selector valve/solenoid actuator



Bleed Valve shown assembled in system at the end of the actuation line