

Pressure Gauge 300 Bar • Inertech

designed for use with

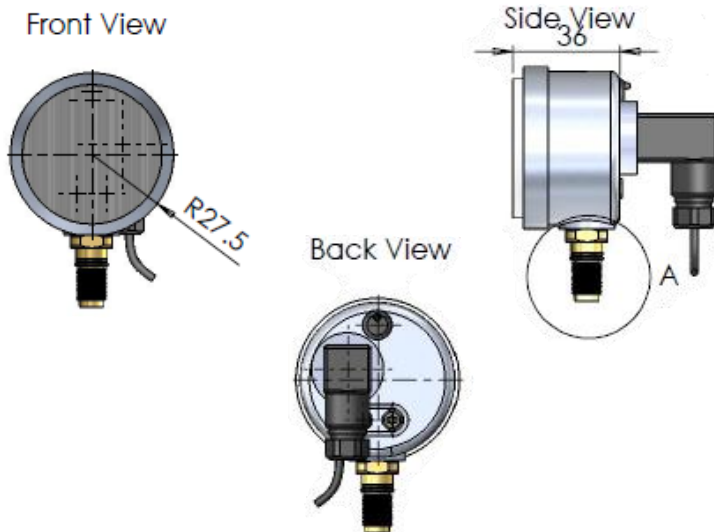
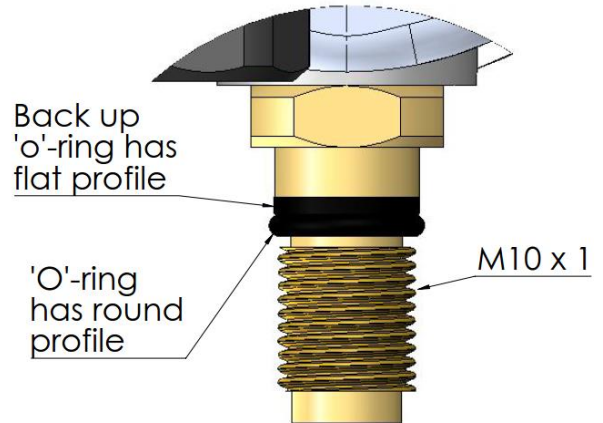
FSL Inert Clean Agent Gaseous Suppression Systems

The pressure gauge incorporating low pressure switch is connected to the cylinder valve via the M10 x 1 port.

When fitting the pressure gauge, screw the unit into the port until it stops (finger tight), if necessary, turn it back to a maximum of one revolution for correct orientation of the gauge dial.

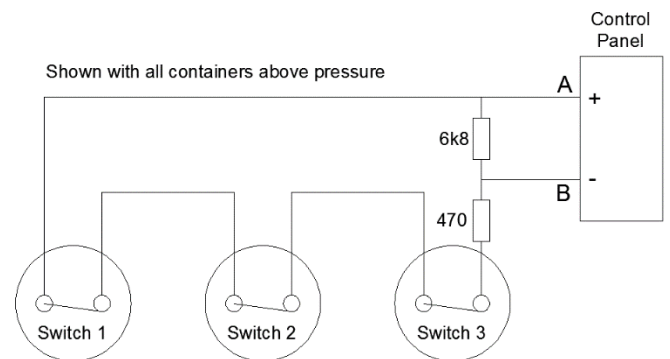
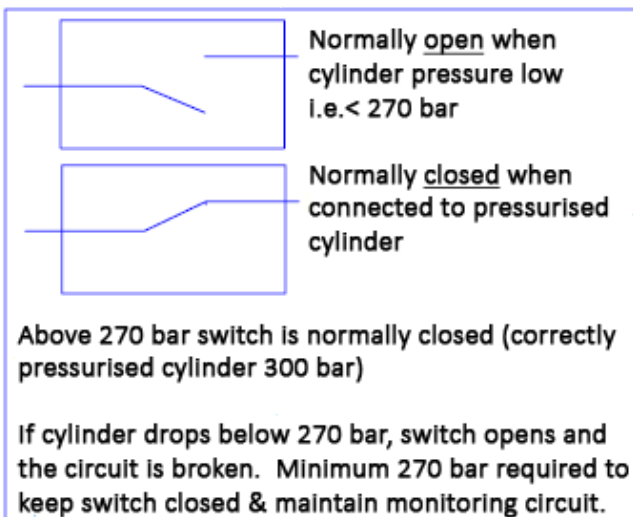
Before screwing the gauge into place, check that the 'O'-ring seal and back-up ring are not damaged. If 'O'-ring replacement is required please note the installation diagram shown here.

It is possible to mount and remove the valve while the cylinder is pressurised.



Kentec Sigma XI

Event	Message	Fault	Alarm
switch Open	Exting Press Fault	Fault Light	Buzzer
Short Circuit A	low Press I/P Fault	Fault Light	Buzzer
Open Circuit B	low Press I/P Fault	Fault Light	Buzzer



For Kentec Panel:

- Low Pressure switch input inverted on panel
- Circuit valid for Sigma XT+ Series 21000 other panels may vary

Date: 16/07/14

Revision: A

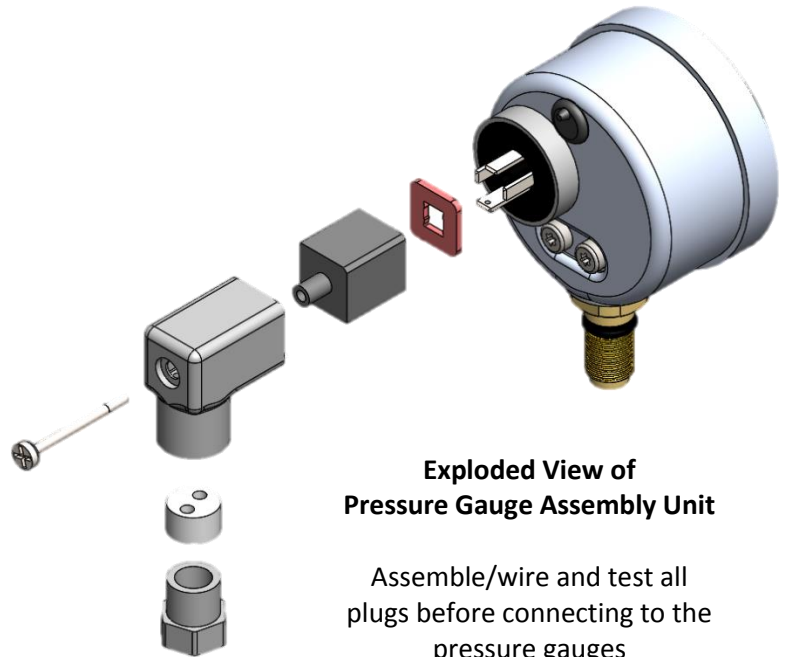
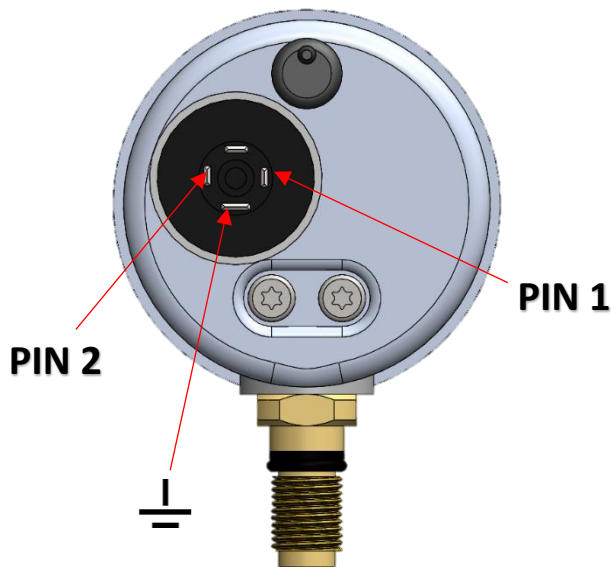
Checked by: DW

Technical Datasheet

Pressure Gauge 300 Bar
NF385023

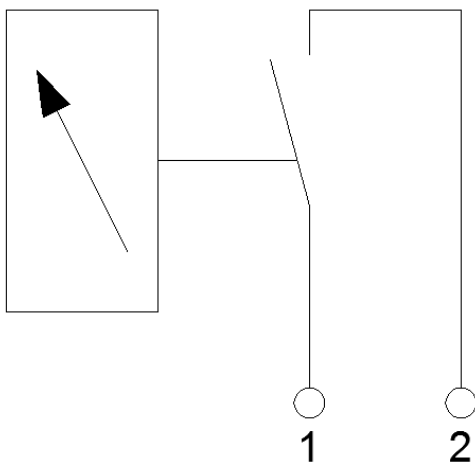
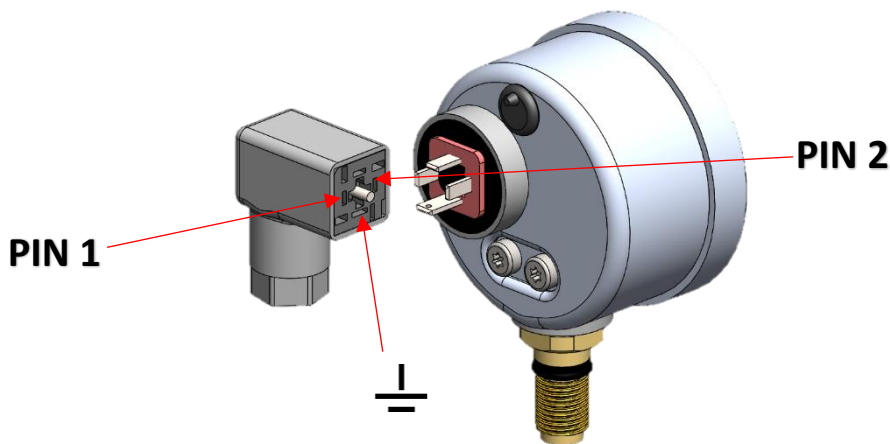


Pressure Gauge Electrical Pin Layout



Exploded View of Pressure Gauge Assembly Unit

Assemble/wire and test all plugs before connecting to the pressure gauges



P_{range} : 0...400 bar

P_{switch} : 270 bar
 ± 5 bar

U : 4,5...24 VDC/VAC

I : 5...100 mA

P_{max} : 2,4W

Status of switch at minimum scale value
Closed contacts at pressure

Date: 16/07/14

Revision: A

Checked by: DW