

Electrical Testing, Integrated Solenoid • FSL Chemical gas systems

designed for use with

Clean Agent Chemical Gaseous Suppression Systems

Solenoid securing nut

Tighten to 15 Nm only (little more than finger tight)

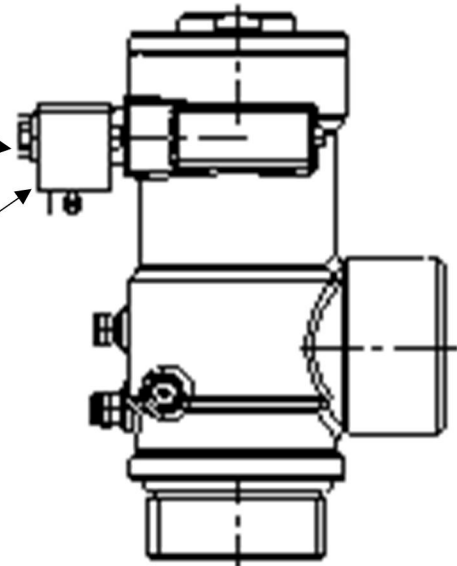
Solenoid

24V DC, 0.25A ± 10%, 6 W (82 ohms)

IP 65 Continuously rated

Connect across terminal 1 & 2

(Kentec control panel eol diode 1N4004 band end to +)



Electrical Connection procedure

1. Wire release circuit to Solenoid plug before fitting plug to solenoid.
2. Check circuit
3. Unscrew 'solenoid securing nut' and slide 'solenoid' from spindle
4. Connect plug to solenoid
5. Insert steel rod/bolt through solenoid and note that it slides freely.
6. Activate the release circuit and note that the rod is magnetized to the solenoid.
7. Reset the control panel and note that the rod slides freely.
8. Slide the solenoid over the valve spindle and retain with the solenoid securing nut.

DO NOT over tighten or bend the valve spindle.