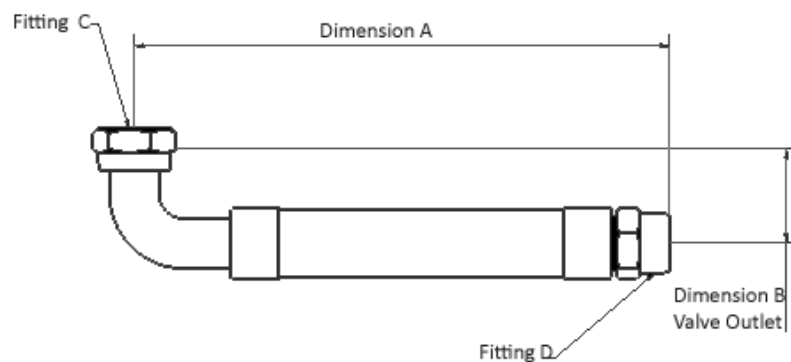
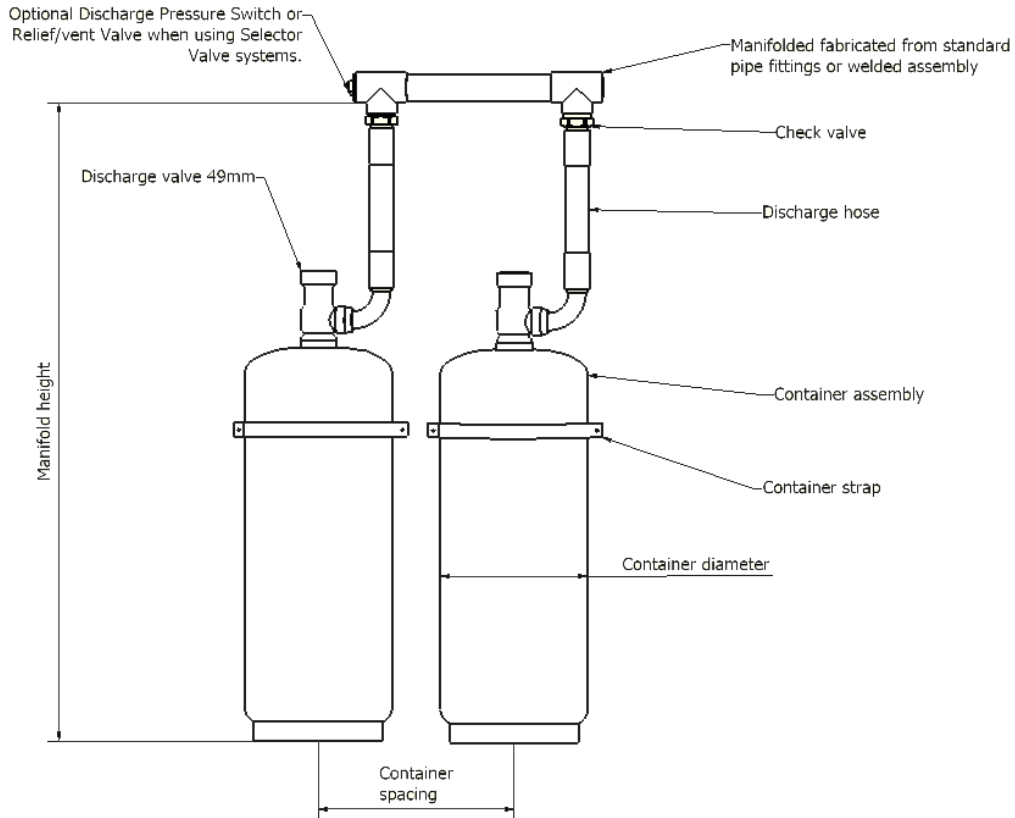


Discharge Valve Outlet Hoses & Adaptors • FSL Chemical gas systems

designed for use with

Clean Agent Chemical Gaseous Suppression Systems



Hose Assembly	Min. bend radius	Dimension A	Dimension B	Valve Fitting C JIC	Fitting D ISO 7-1*	Min. through bore
NF2333500/N	500	500	77	1-7/8 x 12	1 1/2"	33.3
NF2349550N	635	550	99	2-1/2 x 12	2"	44.5

*Connect to Check Valve or discharge pipe work before attaching to the discharge valve with the swivel connection. The 33mm hose; NF2333500 is available with BSP or NPT thread & the 49mm hose; NF2349550 is only available with NPT thread.

Note: Maximum bend between centre lines of fittings 20 degrees

Technical Datasheet

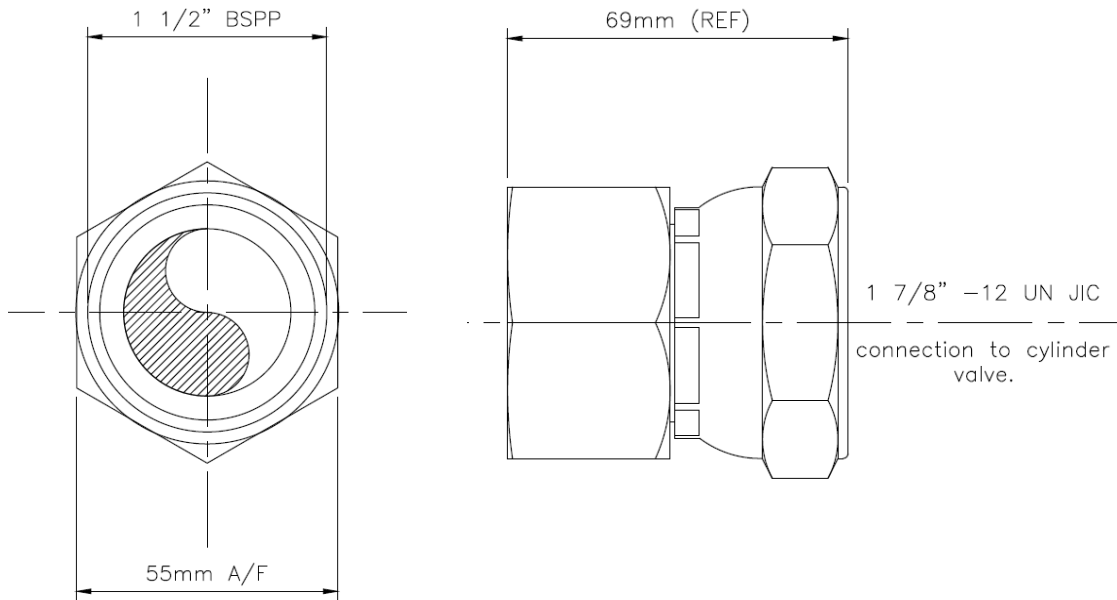
Discharge Valve Outlet Hoses & Adaptors



33mm Outlet Adaptor Rp 1.5 – NF2333050/N

1 1/2" BSPP (female) or 1 1/2" NPT (female)

Compatible with 30 ltr, 50 ltr (and 80 ltr high pressure) FSL Cylinders



49mm Outlet Adaptor Rp 2 – NF2349050/N

2" BSPP (female) or 2" NPT (female)

Compatible with 80 ltr, 120 ltr and 150 ltr FSL Cylinders

