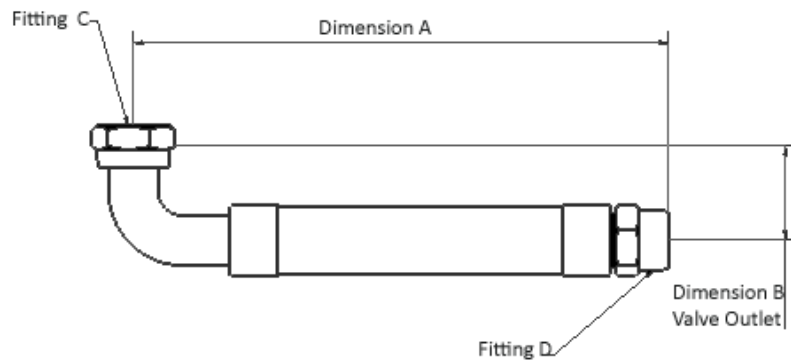
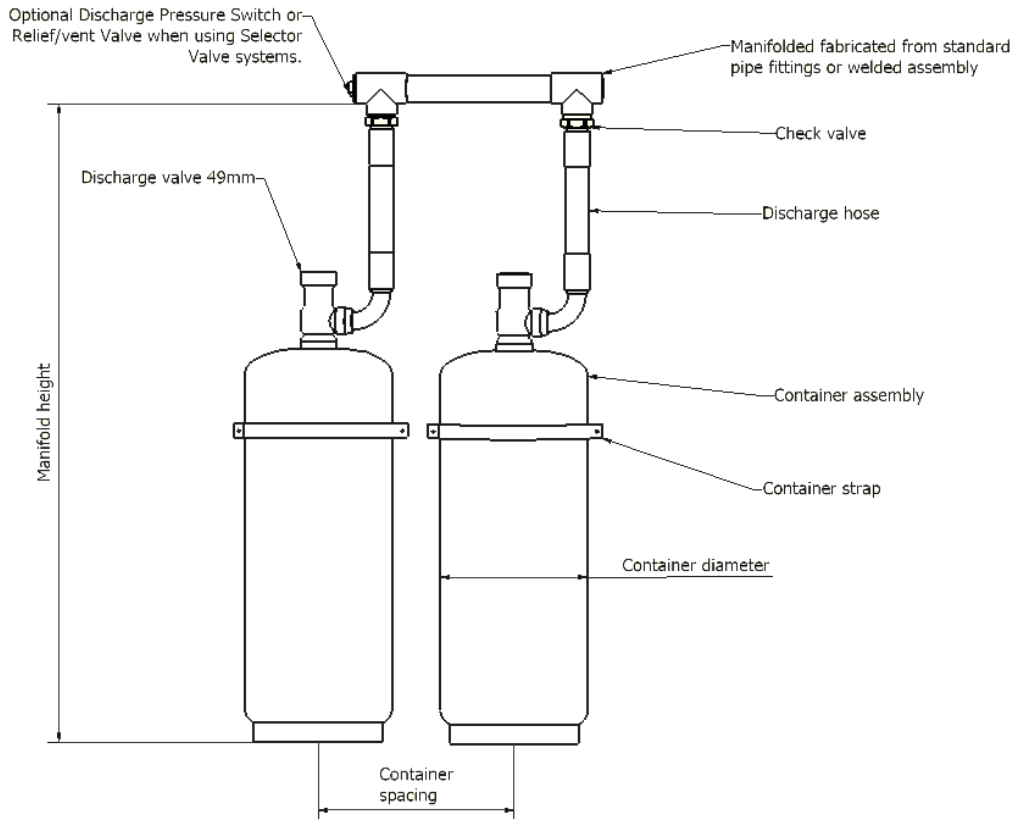


Discharge Valve Outlet Hoses & Adaptors • FSL Chemical gas systems

designed for use with

Clean Agent Chemical Gaseous Suppression Systems



Discharge flexible hoses part number and technical specifications

Part number	Min. bend radius (mm)	Dimension A (mm)	Dimension B (mm)	Valve fitting JIC C	Fitting ISO7-1 D	Minimum through bore (mm)
NF2333500	500	500	77	1.7/8"-12 UN JIC	1 1/2" BSPT	33.3
NF2333500N	500	550	77	1.7/8"-12 UN JIC	1 1/2" NPT	33.3
NF2349550N	635	550	99	2.1/2"-12 UN JIC	2" NPT	44.5

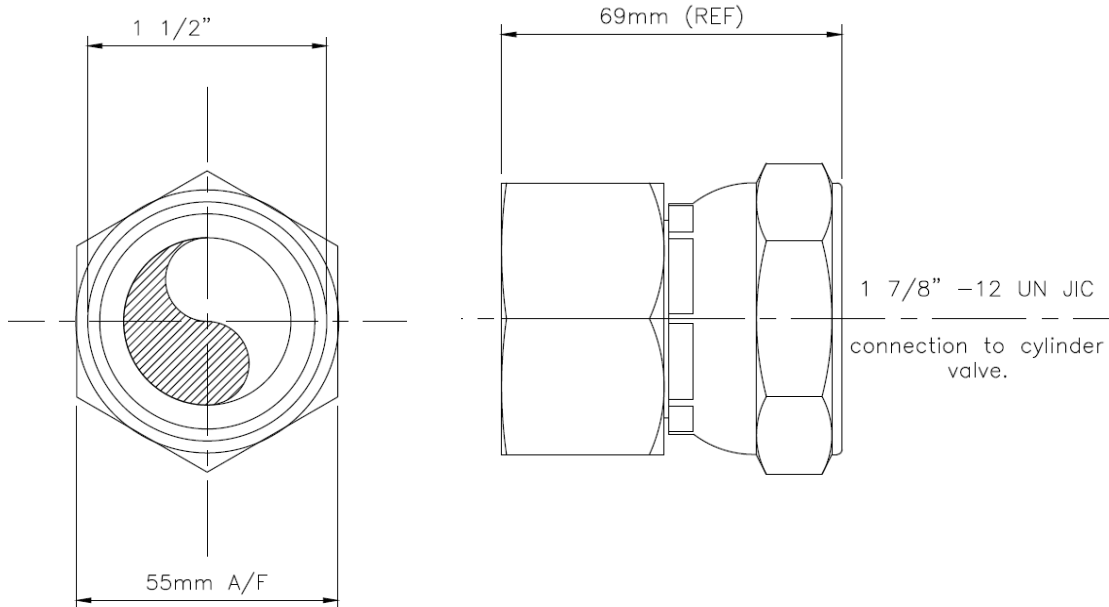
*Connect to Check Valve or discharge pipe work before attaching to the discharge valve with the swivel connection.

Note: Maximum bend between centre lines of fittings 20 degrees

Outlet adaptors part numbers and connection threads

Description	Part number	Inlet	Outlet (female)	FSL Cylinders
33mm outlet adaptor (1 1/2" Outlet)	NF2333050	1.7/8"-12 UN JIC	1 1/2" BSPP	15Lt, 30Lt, 50Lt
	NF2333050N	1.7/8"-12 UN JIC	1 1/2" NPT	
49mm outlet adaptor (2" Outlet)	NF2349050	2.1/2"-12 UN JIC	2" BSPP	80Lt, 120Lt, 150Lt & 180Lt
	NF2349050N	2.1/2"-12 UN JIC	2" NPT	

33mm Outlet Adaptor – 1 1/2" Female



49mm Outlet Adaptor - 2" Female

