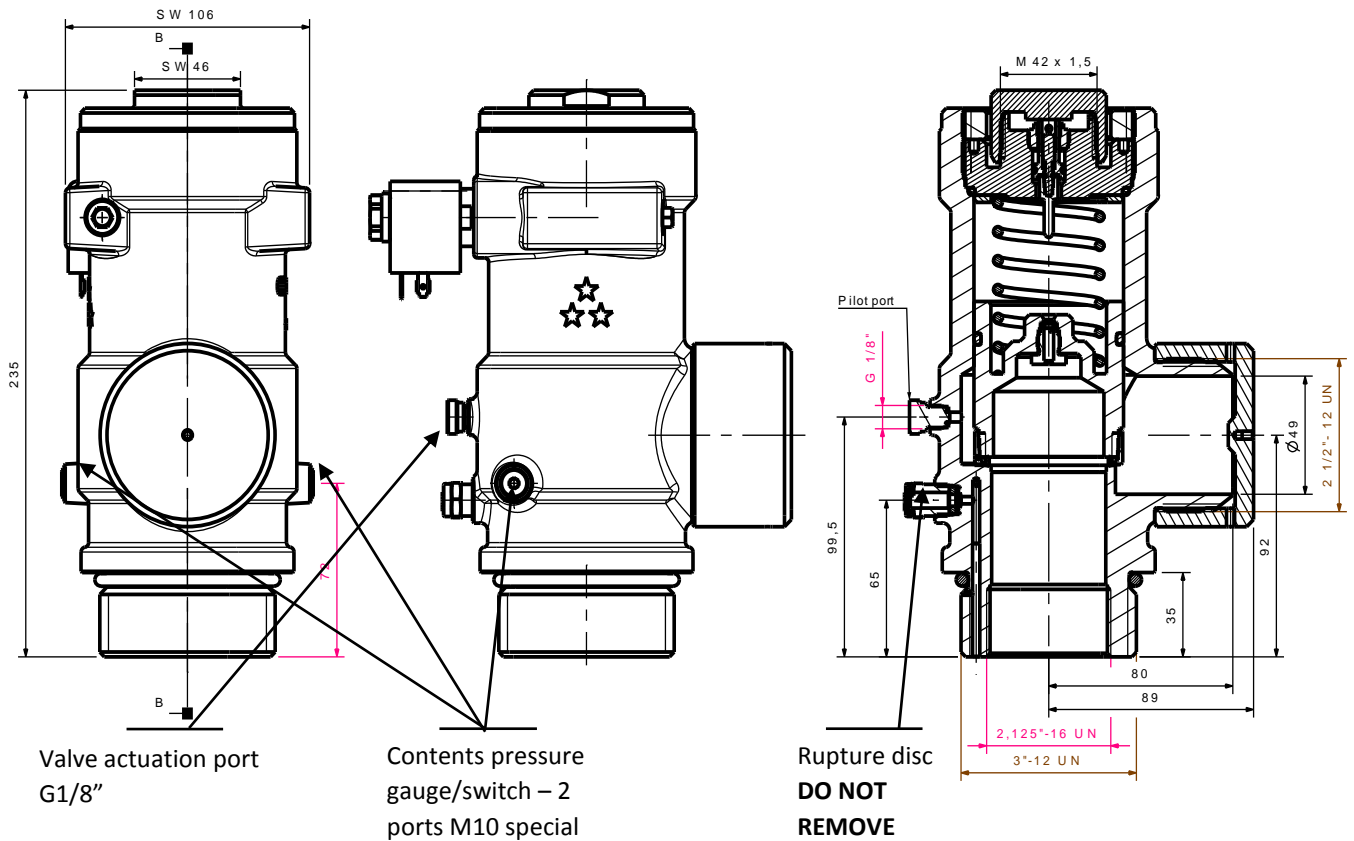


## Discharge Valve, Pressure Port Connections • FSL Chemical gas systems

*designed for use with*

**Clean Agent Chemical Gaseous Suppression Systems**



### Valve actuation port:

Use this port to actuate additional cylinders and or the discharge pressure switch. Use discharge pressure switch NF280210A or Pilot hose NF271560

### Contents pressure gauge/switch:

2 ports are provided on either side of the valve. Either or both may be used to connect Pressure gauge NF284004 or pressure switches which include a pressure gauge NF285022 (25bar systems) or NF285024 (42bar systems). Access is via a hexagon socketed plug. Screw the gauge/switch fully in and unscrew a maximum of 1 turn to orientate the gauge.

**Note:** screwing in the gauge/switch opens an internal check valve which allows pressure to the device. Unscrewing the device closes the check valve to allow the exchange or removal of the gauge/switch. Refit the plug after removal.

### Safety rupture disc:

Every valve is fitted with a safety rupture disc to protect the pressure vessel from over pressure.

**NOTE:** This port must not be tampered with.