

# Technical Datasheet

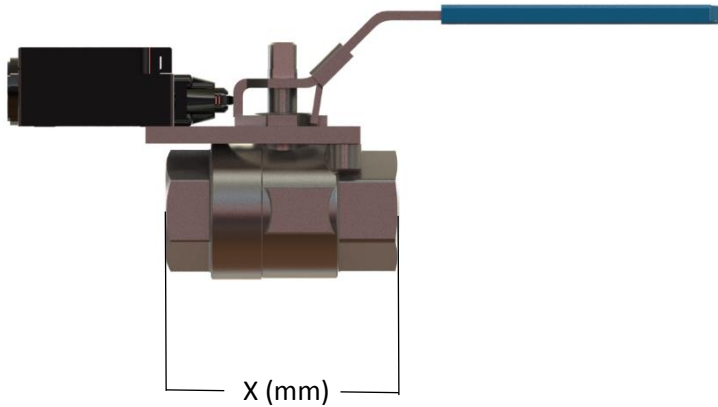
Manual Isolator Valve System  
NF440XX



## Manual Isolator Valve System • Inertech

designed for use with

**FSL Inert Clean Agent Gaseous Suppression Systems**

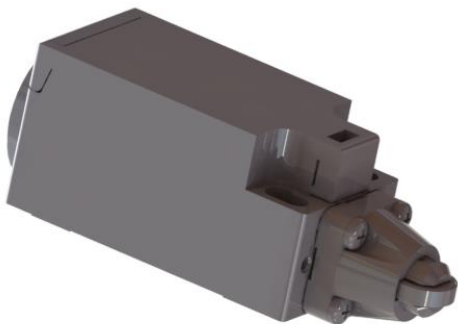


Part Number	Ball Valve Size	X, mm	Weight, Kg
<b>NF44015</b>	DN15	65	0.56
<b>NF44020</b>	DN20	74.6	0.70
<b>NF44025</b>	DN25	88	1.10
<b>NF44032</b>	DN32	102	1.50
<b>NF44040</b>	DN40	110	2.08
<b>NF44050</b>	DN50	125	3.30

- 316 Stainless Steel body and ball
- Threaded to Rp EN 10226-1: 1/2" to 2"
- Ball Valve pressure rating: 150bar for DN32 to DN50 & 200bar for DN15 to DN25
- Valve Operating temperature: -20°C to +50°C
- Lever Operation with lock for use with padlock\*
- Limit switch: Slim design, Roller Plunger with Snap action

\*padlock not supplied.

### Limit Switch – Technical Data



<b>Termination</b>	Screw terminals
<b>Contact type</b>	Change over
<b>Contact Variant / Switch Travel</b>	Snap action (1 NO / 1 NC)
<b>I<sub>e</sub>/U<sub>e</sub></b>	4 A / 230 VAC 1 A / 24 VDC
<b>Cable Section</b>	Max. 2.5mm <sup>2</sup> Min. 1.5mm <sup>2</sup>
<b>Cable Entry</b>	1 x M20 x 1.5
<b>Material</b>	Glass Fibre reinforced enclosure