

# Technical Datasheet

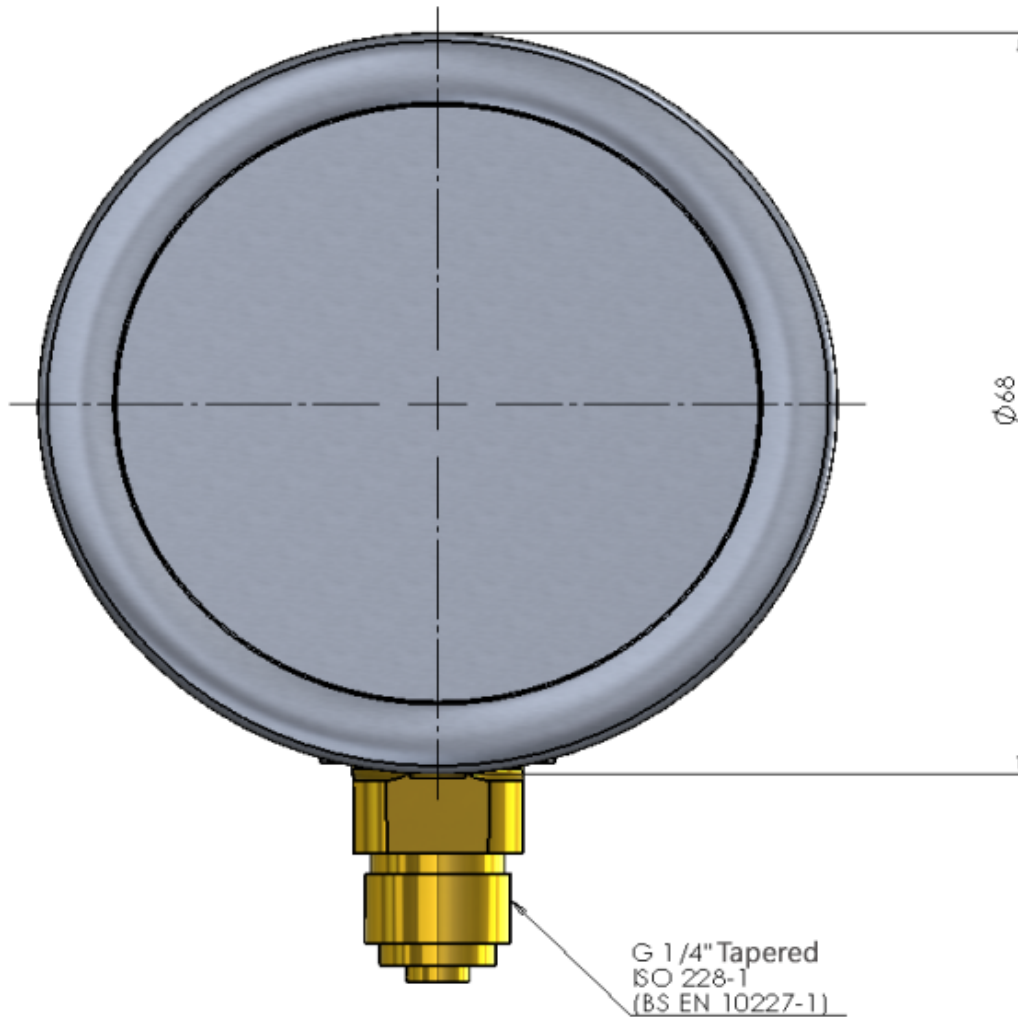
Manifold Pressure Gauge  
NF386810



## Manifold Pressure Gauge • Inertech

*designed for use with*

**FSL Inert Clean Agent Gaseous Suppression Systems**



To indicate the pressure in the manifold in the event of overpressure  
Displays 0-100 bar  
1/4" BSP connection to manifold